

C O N T E N T S

INTRODUCTION

Project-based Learning	3
Connecting Science, Technology, Engineering, and Math	3
The Need for Interaction and Collaboration	3
The Design Process Mini Poster	4
The Design Process Worksheet	5
The Scientific Method Mini Poster	6
The Scientific Method Worksheet	7
Growing Critical Thinkers	8
The Four Is:	
Inquire, Investigate, Interact, Invent	8
The Need for Journaling	9
The Review Discussions	10
Keeping Things in Perspective!	10

HOW TO USE THIS BOOK

Pacing Units and Lessons	11
Vocabulary and Discussions	11
Teacher and Student Rubrics	11
Challenge Activity	12
Team Management	12

LESSON NOTES FOR THE TEACHER

Lesson 1—Guided Activity	13
Lessons—Your Turn	13
Final Lesson—The Challenge	13
About Teams	13
EL Tips	14
A Note about Materials	14

ADDRESSING STANDARDS

Next Generation Science Standards	15
Common Core State Standards	16
Standards Correlations	16

STEM VOCABULARY

RUBRICS

Teacher Rubric for Assessing Student Performance	18
Student Rubric for Assessing Performance	19

UNIT 1—CENTRIPETAL FORCE

Unit Preparation	20
Unit Introduction	22
Activity 1 —Lifting Spinners	25
Activity 2 —Planetary Spinners	32
Activity 3 —Water-Cup Spinners	35
Activity 4 —Centripetal Water Spinners	38
Activity 5 —Spinner Speeds	40
Activity 6 —Challenge: Design a Spinner	45

UNIT 2—PENDULUMS

Unit Preparation	47
Unit Introduction	49
Activity 1 —Make a Simple Pendulum	52
Activity 2 —Angles and Oscillations	61
Activity 3 —Working with Two Pendulums	68
Activity 4 —Challenge: Create a Pendulum Wave ..	72

UNIT 3—SOAP SCIENCE

Unit Preparation	75
Unit Introduction	77
Activity 1 —Creating Soap Bubbles	83
Activity 2 —2D-Shape Wands	88
Activity 3 —3D-Shape Wands	94
Activity 4 —Flexible Bubble Wands	98
Activity 5 —Challenge: Make Super Bubbles	101

UNIT 4—SURFACE TENSION

Unit Preparation	103
Unit Introduction	105
Activity 1 —Coin Meniscus	109
Activity 2 —Cup Meniscus	114
Activity 3 —Moving Boats	117
Activity 4 —Floating Clips	121
Activity 5 —Challenge: Be a Chemist— Find the Fastest Fuel	126

UNIT 5—THE POWER OF WIND

Unit Preparation	129
Unit Introduction	131
Activity 1 —Wind Direction	133
Activity 2 —Measuring Wind Speed	137
Activity 3 —Making Pinwheels	140
Activity 4 —Wind Wheels	143
Activity 5 —Challenge: Design Your Own Wind Device	147

UNIT 6—MOTION AND MOMENTUM

Unit Preparation	149
Unit Introduction	151
Activity 1 —Marble Runways	152
Activity 2 —Loop-De-Loops	154
Activity 3 —Challenge: Design a Roller Coaster ..	156
Common Core State Standards	158
Next Generation Science Standards	160

WORKING WITH TWO PENDULUMS

Directions: Work in groups of three for this activity. Read through ALL the directions for the activity before you begin. Before testing, decide which teammate will do each job on the team.

TESTING THE PENDULUMS

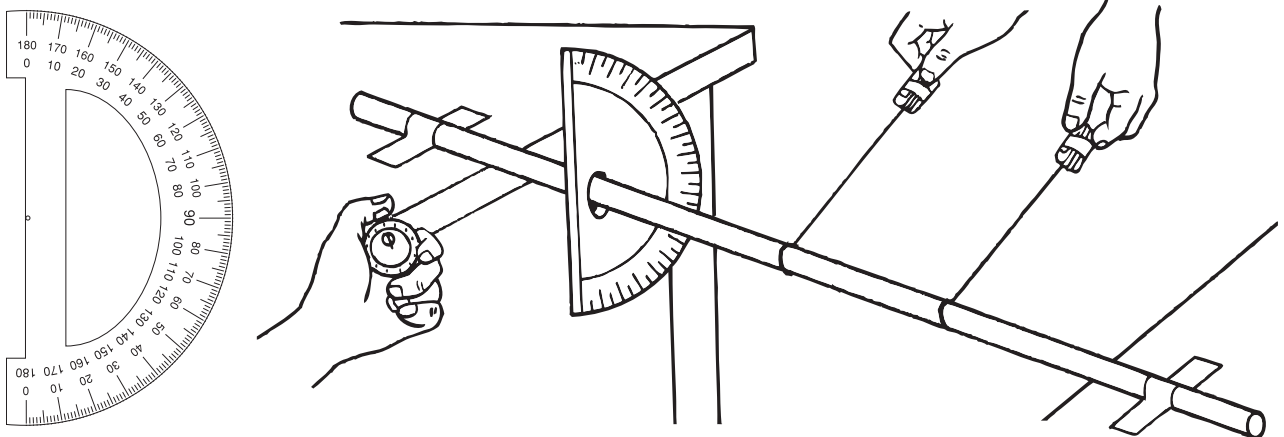
1. Fill in the name of each teammate and review each job.

TEAMMATE 1 _____ will say, “GO,” and time the test (3 minutes or less).

TEAMMATE 2 _____ will hold and release Pendulum 1 and count the oscillations.

TEAMMATE 3 _____ will hold and release Pendulum 2 and count the oscillations.

2. Each bob should be held taut at about a 60° angle. Mark 60° on the protractor.



3. When **Teammate 1** says, “GO,” **Teammate 2** and **Teammate 3** will simultaneously release the pendulums.
4. Record the number of oscillations in one minute.

PERIOD FOR PENDULUM 1 _____ oscillations in one minute

PERIOD FOR PENDULUM 2 _____ oscillations in one minute

5. Continue observing the pendulums until they are both inert. How long did it take?

6. Describe the movements of the pendulums. Did they move in the same way or differently?

3D-SHAPE WANDS

Directions: Work in teams of two (pairs). Continue using straws and wire or fishing line to construct more complex wands. Use the illustrations to help guide your construction.

MAKING A SQUARE-BASED PYRAMID

1. Gather straws, fishing line or wire, scissors, and a ruler to construct a square-based pyramid.
2. Cut eight 4" straws.
3. Arrange four 4" straws for the base and connect them with wire or fishing line. (See Diagram 1.)
4. Connect a length of wire or fishing line to each corner of the square.
5. Feed each line through a straw and lay them flat.
6. Gather two of the straws and tie them together to form a point. Do the same thing with the remaining two straws. (See Diagram 2.)
7. Connect the two straw triangles at the top to construct the pyramid. Make sure that the structure is sound.

Diagram 1

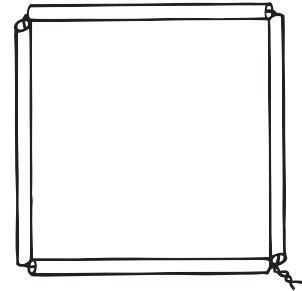
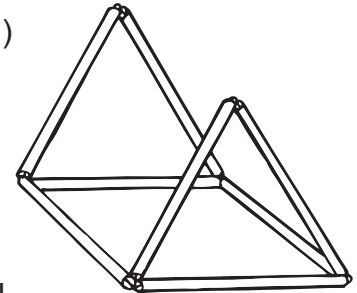


Diagram 2



TEST THE SQUARE-BASED PYRAMID

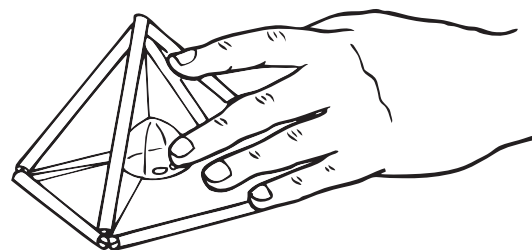
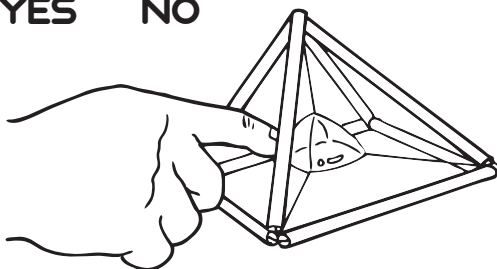
1. Take turns dipping the pyramid bubble frame into the soap-bubble solution. You may have to dip the pyramid several times to cover all the faces.
2. Record what you see. What happens when you blow on the square-based pyramid or wave it through the air?

3. Try dipping your hand in the solution and then gently pushing it through one of the faces.

Can you get your finger in the shape wand without popping the soap film?

Your hand? **YES** **NO**

YES **NO**



★ **SAVE THE SOAP-BUBBLE SOLUTION AND BUS TRAYS FOR THE NEXT ACTIVITY** ★

COIN MENISCUS

Directions

- Fill in the name of the coin your team will use in the blank at the top of the chart below.
Note: If you prefer, recreate this chart on your tablet or computer. See page 42 for basic directions.
- Fill in the number of drops on the coin in the second column.
- Write your initials next to your number of drops in the Tester column.
- Continue until all team members have added drops to their coins and filled in the chart. Add more rows to the chart if necessary. Use the back of the page.

HOW MANY DROPS FIT ON A _____?		
COIN	NUMBER OF DROPS	TESTER
Coin 1		
Coin 2		
Coin 3		
Coin 4		
Coin 5		
Coin 6		

ANALYZE THE DATA—LOOK AT THE MATH

- What was the greatest number of drops on the coin? _____
- What was the smallest number of drops on the coin? _____

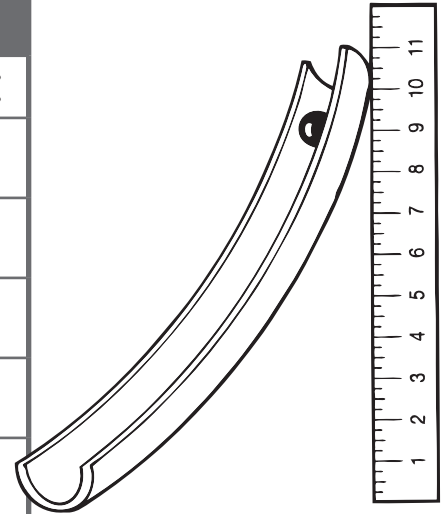
3. Find the *difference* between the largest and the smallest number of drops. _____

4. Find the *average number of drops* for the coin. _____

MARBLE RUNWAYS

MARBLE RUNWAY—TESTING

DISTANCES MARBLES TRAVEL		
HEIGHT	SMALL MARBLE	LARGE MARBLE
2"		
4"		
6"		
8"		
10"		



ADD MORE MARBLES—TEST MOMENTUM

1. Raise the slide of the runway to a height of 10".
2. Place one marble halfway down the runway (on the flat part). That will be the “sitting” marble.
3. Launch a second marble, the striker, from the top of the slide.
4. What happens to the “sitting” marble when it is hit by the striker? _____

5. Place two marbles halfway down a runway and launch the striker. What happens to the two sitting marbles?

VARY THE SIZE OF THE MARBLES—TEST MOMENTUM

1. Observe linear momentum using the set-ups below for the sitting marbles. **S** represents a small marble and **L** represents a large marble.
2. Describe what happens to each group of marbles when hit by the striker.



